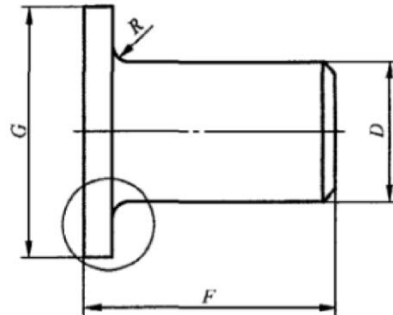


Stub End



Nominal Pipe Size (NPS)	Outside Diameter At Bevel D (mm)	Outside Diameter of Barrel(mm)		Length F(mm)		Radius of Fillet R(mm)		Diameter of Lap G(mm)
		Min.	Max.	ASME	MSS	ANSI & MSS Type A	MSS Type B	
1/2	21.3	20.55	22.76	76.2	50.8	3	0.8	35
3/4	26.7	25.88	28.09	76.2	50.8	3	0.8	42.9
1	33.4	32.61	34.95	101.6	50.8	3	0.8	50.8
1-1/4	42.2	41.38	43.59	101.6	50.8	4.8	0.8	63.5
1-1/2	48.3	47.47	49.94	101.6	50.8	6.4	0.8	73.2
2	60.3	59.54	62.38	152.4	63.5	7.9	0.8	91.9
2-1/2	73	72.24	75.34	152.4	63.5	7.9	0.8	104.6
3	88.9	88.11	91.34	152.4	63.5	9.7	0.8	127
3-1/2	101.6	100.81	104.04	152.4	76.2	9.7	0.8	139.7
4	114.3	113.51	116.66	152.4	76.2	11.2	0.8	157.2
5	141.3	140.51	144.35	203.2	76.2	11.2	1.5	185.7
6	168.3	167.49	171.27	203.2	88.9	12.7	1.5	215.9
8	219.1	218.29	222.07	203.2	101.6	12.7	1.5	269.7
10	273.1	272.26	277.19	254	127	12.7	1.5	323.9
12	323.9	323.06	327.99	254	152.4	12.7	1.5	381
14	355.6	354.81	359.92	304.8	152.4	12.7	1.5	412.8
16	406.4	405.61	410.97	304.8	152.4	12.7	1.5	469.9
18	457.2	456.41	462.03	304.8	152.4	12.7	1.5	533.4
20	508	507.21	514.1	304.8	152.4	12.7	1.5	584.2
22	558.8	558.01	564.9	304.8	152.4	12.7	1.5	641.4
24	609.6	608.81	615.7	304.8	152.4	12.7	1.5	692.2